



PERFORMANCE RANGE

- Flow rate up to **250 l/min** (15 m³/h)
- Head up to **57 m**

APPLICATION LIMITS

- Manometric suction lift up to **7 m**
- Liquid temperature between **-10 °C** and **+90 °C**
- Ambient temperature between **-10 °C** and **+40 °C**
- Max. working pressure **10 bar**
- Continuous service **S1**

CONSTRUCTION AND SAFETY STANDARDS

EN 60034-1
IEC 60034-1
CEI 2-3



CERTIFICATIONS



INSTALLATION AND USE

Suitable for use with clean water and liquids that are not chemically aggressive towards the materials from which the pump is made. The pumps in this series are specifically intended for use in the civil, industrial and agricultural sectors where their overriding characteristics of sturdiness and reliability are best appreciated. The pump should be installed in an enclosed environment, or at least sheltered from inclement weather.

OPTIONALS AVAILABLE ON REQUEST

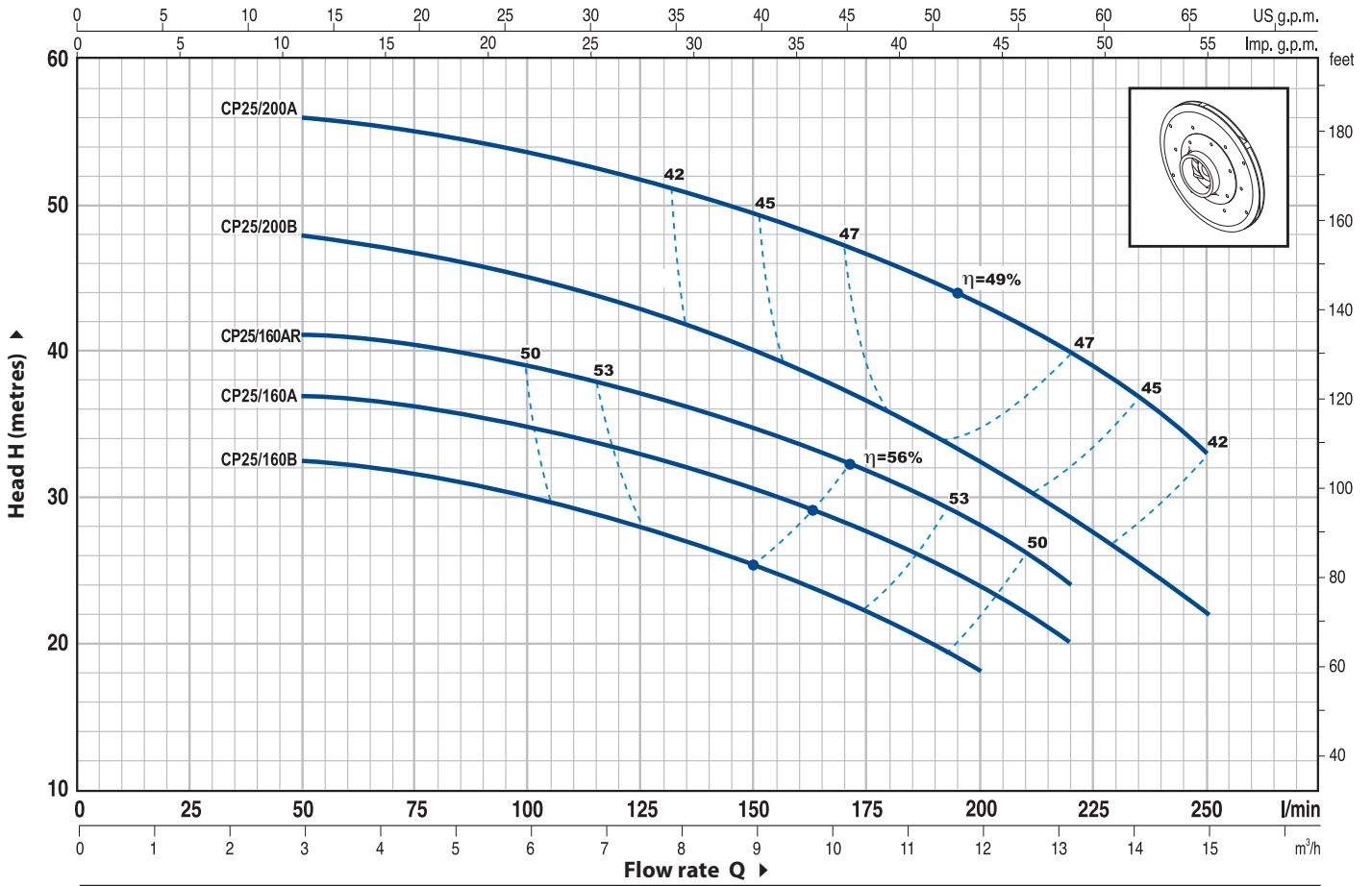
- Special mechanical seal
- Other voltages or 60 Hz frequency

GUARANTEE

2 years subject to terms and conditions

CHARACTERISTIC CURVES AND PERFORMANCE DATA

50 Hz n= 2900 1/min HS= 0 m

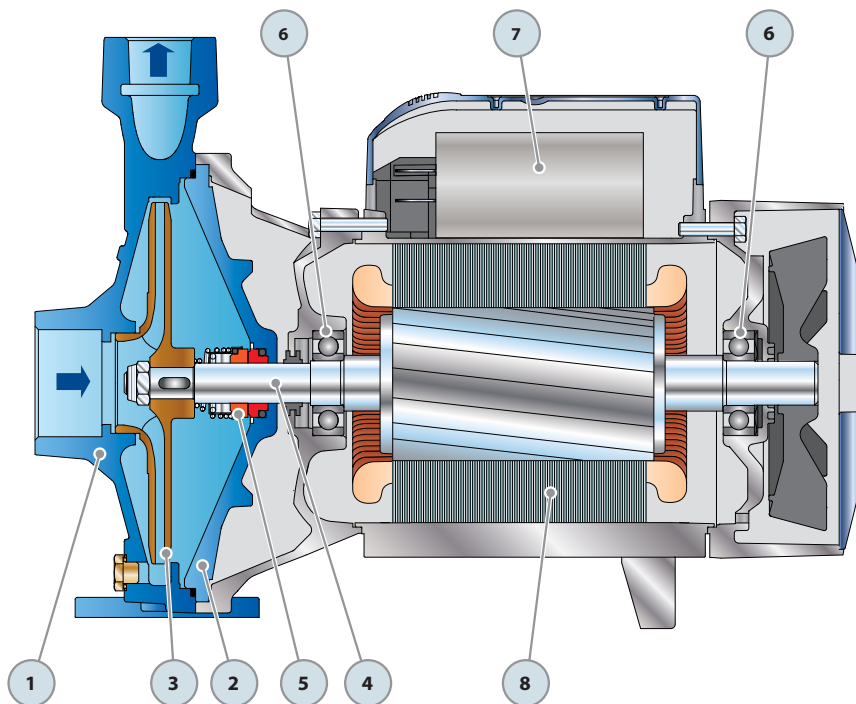


MODEL		POWER		Q	H metres																		
Single-phase	Three-phase	kW	HP		0	3.0	3.6	4.2	4.8	5.4	6.0	6.6	7.5	8.4	9.6	10.8	12.0	13.2	15.0				
				l/min	0	50	60	70	80	90	100	110	125	140	160	180	200	220	250				
CPm 25/160B	CP 25/160B	1.1	1.5	H metres	33	32.5	32	31.5	31	30.5	30	29	28	26.5	24	21.5	18						
CPm 25/160A	CP 25/160A	1.5	2		38	37	36.8	36.5	36	35.5	35	34	33	31.5	29.5	27	24	20					
-	CP 25/160AR	2.2	3		42	41	41	40.5	40	39.5	39	38	37	36	34	31	28	24					
CPm 25/200B	CP 25/200B	2.2	3		49	48	47.5	47	46.5	45.5	45	44	43	41	38.5	36	32	28	22				
-	CP 25/200A	3	4		57	56	55.8	55.5	55	54.5	53.5	53	52	50.5	48.5	46	43.5	40	33				

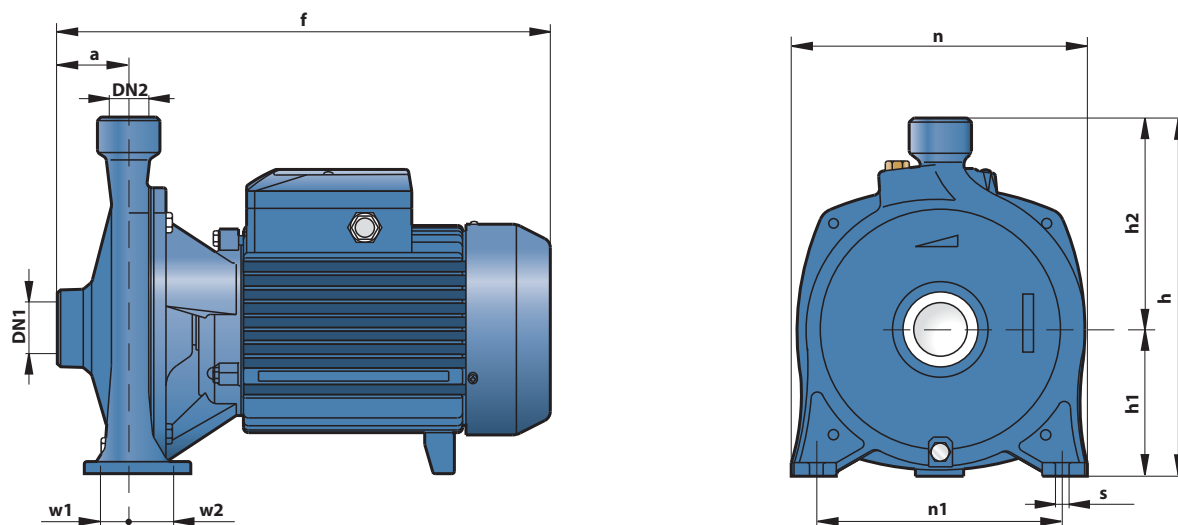
Q = Flow rate H = Total manometric head HS = Suction height

Tolerance of characteristic curves in compliance with EN ISO 9906 App. A.

POS.	COMPONENT	CONSTRUCTION CHARACTERISTICS					
1	PUMP BODY	Cast iron, made to EN 733 standards, complete with threaded ports in compliance with ISO 228/1					
2	BODY BACKPLATE	Cast iron					
3	IMPELLER	Brass					
4	MOTOR SHAFT	Stainless steel EN 10088-3 - 1.4104					
5	MECHANICAL SEAL	<i>Pump</i>	<i>Seal</i>	<i>Shaft</i>	<i>Materials</i>		
		<i>Model</i>	<i>Model</i>	<i>Diameter</i>	<i>Stationary ring</i>	<i>Rotational ring</i>	<i>Elastomer</i>
		CP 25/160	FN-18	Ø 18 mm	Graphite	Ceramic	NBR
		CP 25/200	FN-24	Ø 24 mm	Graphite	Ceramic	NBR
6	BEARINGS	<i>Pump</i>	<i>Model</i>				
		CP 25/160	6204 ZZ / 6204 ZZ				
		CP 25/200	6206 ZZ - C3 / 6205 ZZ				
7	CAPACITOR	<i>Pump</i>	<i>Capacitance</i>				
		<i>Single-phase</i>	<i>(230 V or 240 V)</i>		<i>(110 V)</i>		
		CPm 25/160B	31.5 µF 450 VL		60 µF 250 VL		
		CPm 25/160A	45 µF 450 VL		80 µF 250 VL		
		CPm 25/200B	70 µF 450 VL		-		
8	ELECTRIC MOTOR	<p>CPm: single-phase 230 V - 50 Hz with thermal overload protector built-in to the winding (up to 1.5 kW). CP: three-phase 230/400 V - 50 Hz.</p> <p>⇒ Pumps fitted with the three-phase motor option offer IE2 (IEC 60034-30) class high performance</p> <p>- Insulation: F class. - Protection: IP 44.</p>					



DIMENSIONS AND WEIGHT



MODEL		PORTS		DIMENSIONS mm										kg	
Single-phase	Three-phase	DN1	DN2	a	f	h	h1	h2	n	n1	w1	w2	s	1~	3~
CPm 25/160B	CP 25/160B	1½"	1"	56	375	260	105	155	206	150	27.5	27.5	10	20.0	18.0
CPm 25/160A	CP 25/160A													21.3	21.3
-	CP 25/160AR													-	21.3
CPm 25/200B	CP 25/200B			60	390/365	305	125	180	252	210	23.5	39.5	11	28.5	30.7
-	CP 25/200A				390									-	30.9

ABSORPTION

MODEL	VOLTAGE (single-phase)		
	230 V	240 V	110 V
CPm 25/160B	8.5 A	7.8 A	17.0 A
CPm 25/160A	9.8 A	8.9 A	19.6 A
CPm 25/200B	13.4 A	13.0 A	-

MODEL	VOLTAGE (three-phase)					
	230 V	400 V	690 V	240 V	415 V	720 V
CP 25/160B	5.7 A	3.3 A	1.9 A	5.2 A	3.0 A	1.7 A
CP 25/160A	7.3 A	4.2 A	2.4 A	6.7 A	3.9 A	2.3 A
CP 25/160AR	8.9 A	5.1 A	3.0 A	8.3 A	4.8 A	2.8 A
CP 25/200B	10.5 A	6.0 A	3.5 A	9.6 A	5.6 A	3.3 A
CP 25/200A	12.4 A	7.2 A	4.2 A	11.0 A	6.4 A	3.7 A

PALLETIZATION

MODEL		GROUPAGE				CONTAINER			
Single-phase	Three-phase	n° pumps	H (mm)	kg		n° pumps	H (mm)	kg	
				1~	3~			1~	3~
CPm 25/160B	CP 25/160B	50	1560	1020	920	70	2130	1420	1280
CPm 25/160A	CP 25/160A	50	1560	1090	1040	70	2130	1510	1440
-	CP 25/160AR	50	1560	-	1090	70	2130	-	1510
CPm 25/200B	CP 25/200B	18	1190	530	570	-	-	-	-
-	CP 25/200A	18	1210	-	580	-	-	-	-

