

PLURIJET 90-130-200

Self-priming multi-stage pumps



PERFORMANCE RANGE

- Flow rate up to **200 l/min** (12 m³/h)
- Head up to **97 m**

APPLICATION LIMITS

- Manometric suction lift up to **9 m** (HS)
- Liquid temperature between **-10 °C** and **+40 °C**
- Ambient temperature up to **+40 °C**
- Max. working pressure **10 bar**
- Continuous service **S1**

CONSTRUCTION AND SAFETY STANDARDS

EN 60335-1
IEC 60335-1
CEI 61-150

EN 60034-1
IEC 60034-1
CEI 2-3



CERTIFICATIONS



INSTALLATION AND USE

Suitable for use with clean water even where air is present and with liquids that are not chemically aggressive towards the materials from which the pump is made.

The self-priming "PLURIJET" pumps are designed to pump water even in cases where air is present. As a result of their quietness, reliability and low energy consumption they are recommended for use in domestic and civil applications such as the pressurisation and distribution of water in combination with pressure sets, and in rain water recovery and irrigation systems, etc.

The pump should be installed in an enclosed environment, or at least sheltered from inclement weather.

PATENTS - TRADE MARKS - MODELS

- PLURIJET® is a registered trade mark n° 3974301

OPTIONALS AVAILABLE ON REQUEST

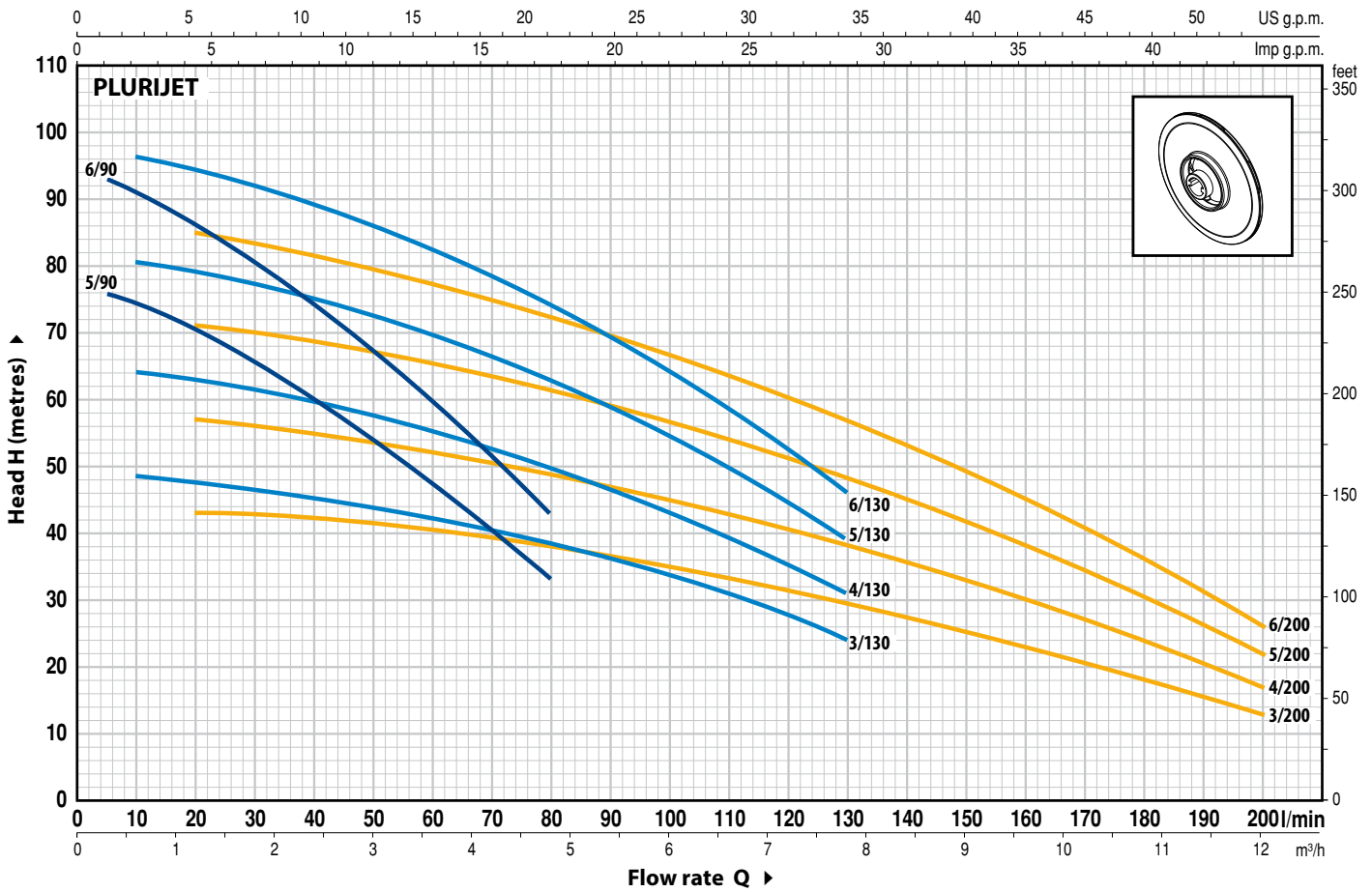
- Other voltages or 60 Hz frequency
- IPX5 class protection

GUARANTEE

2 years subject to terms and conditions

CHARACTERISTIC CURVES AND PERFORMANCE DATA

50 Hz n= 2900 1/min HS= 0 m

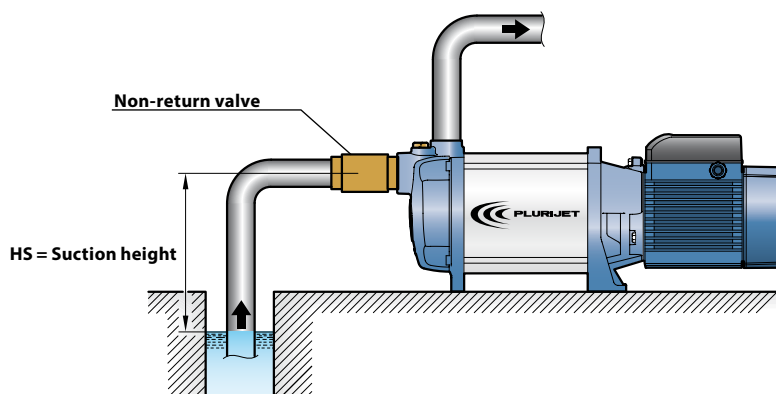


MODEL		POWER		Q	Flow rate (m³/h)												
Single-phase	Three-phase	kW	HP		0	0.3	0.6	1.2	2.4	3.6	4.8	6.0	7.8	8.4	9.6	10.8	12.0
PLURIJETm 5/90	PLURIJET 5/90	1.1	1.5	l/min	0	5	10	20	40	60	80	100	130	140	160	180	200
PLURIJETm 6/90	PLURIJET 6/90	1.5	2	H metres	76	76	73.5	70	60.5	47	33						
PLURIJETm 3/130	PLURIJET 3/130	1.1	1.5		93	93	90.5	86	74.5	59.5	43						
PLURIJETm 4/130	PLURIJET 4/130	1.5	2		49	49	48.5	47.5	45	42.5	38.5	33.5	24				
-	PLURIJET 5/130	1.8	2.5		65	65	64	63	60	56	50	43	31				
-	PLURIJET 6/130	2.2	3		81	81	80.5	79	75	70	62.5	54	39				
PLURIJETm 3/200	PLURIJET 3/200	1.1	1.5		97	97	96.5	94.5	90	83	74.5	64	46				
PLURIJETm 4/200	PLURIJET 4/200	1.5	2		44	43.5	43.5	43	42	40.5	38	35	29	27.5	23	18	13
-	PLURIJET 5/200	1.8	2.5		58	57.5	57.5	57	55	52.5	49.5	45	38	35.5	30	24	17
-	PLURIJET 6/200	2.2	3		73	72	71.5	71	69	65.5	62	56.5	48	44.5	38	30	22
					87	86	85.5	85	82	78	73	67	57	53	45	36	26

Q = Flow rate H = Total manometric head HS = Suction height

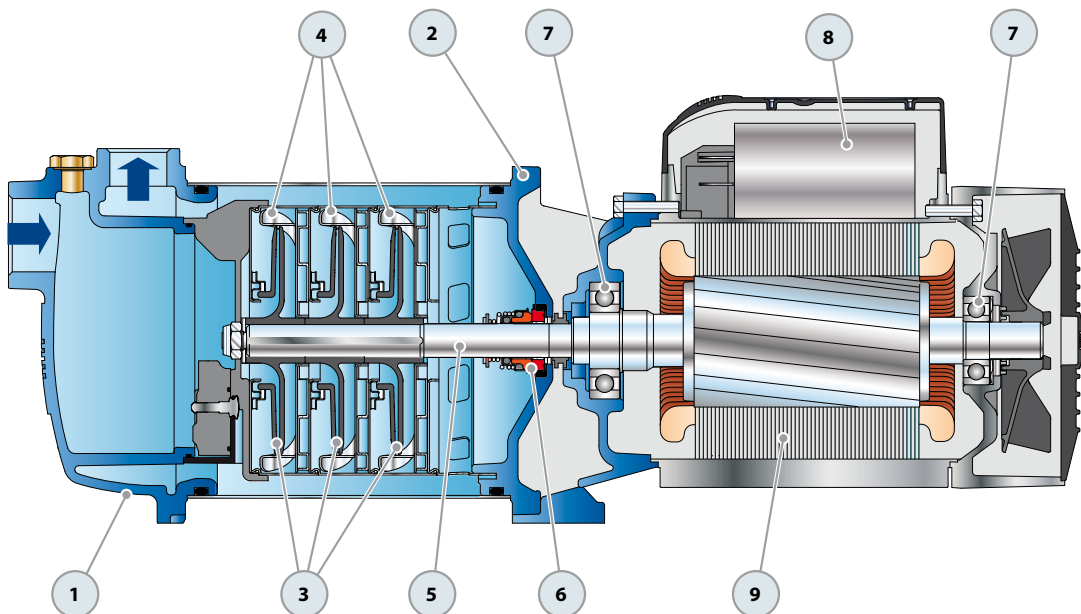
Tolerance of characteristic curves in compliance with EN ISO 9906 Grade 3.

INSTALLATION EXAMPLE

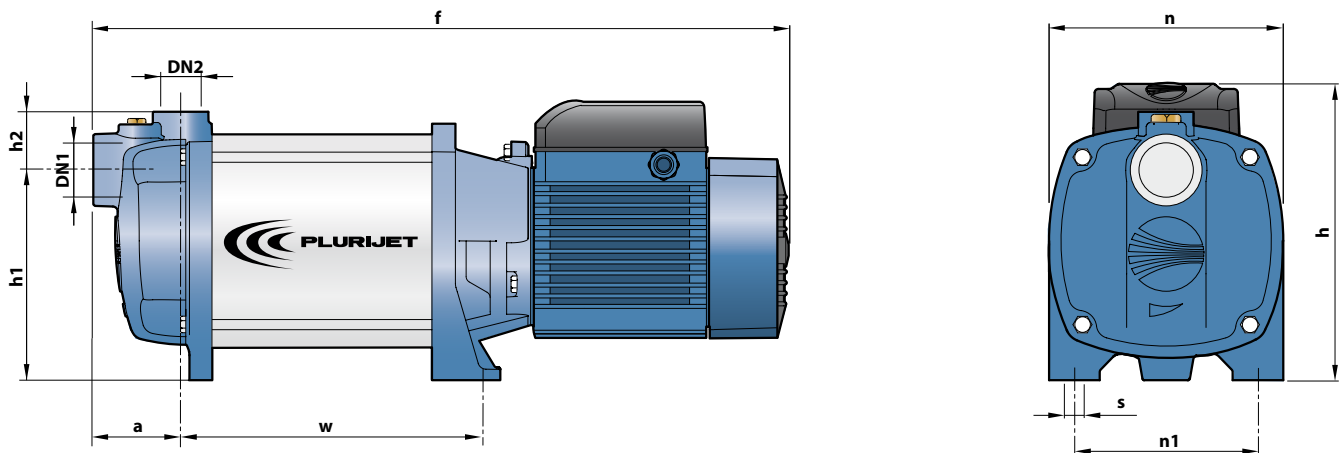


PLURIJET 90-130-200

POS.	COMPONENT	CONSTRUCTION CHARACTERISTICS				
1	PUMP BODY	Cast iron and stainless steel AISI 304, complete with threaded ports in compliance with ISO 228/1				
2	BODY BACKPLATE	Cast iron				
3	IMPELLERS	Noryl GFN2V				
4	DIFFUSERS	Stainless steel AISI 304, complete with anti-wear ring				
5	MOTOR SHAFT	Stainless steel EN 10088-3 - 1.4104				
6	MECHANICAL SEAL	Seal	Shaft	Materials		
		<i>Model</i>	<i>Diameter</i>	<i>Stationary ring</i>	<i>Rotational ring</i>	<i>Elastomer</i>
		FN-18	Ø 18 mm	Graphite	Ceramic	NBR
7	BEARINGS	6304 2RS - C3 / 6204 ZZ				
8	CAPACITOR	Pump	Capacitance			
		<i>Single-phase</i>	<i>(230 V or 240 V)</i>	<i>(110 V)</i>		
		PLURIJETm 5/90				
		PLURIJETm 3/130	31.5 µF 450 VL	60 µF 250 VL		
		PLURIJETm 3/200				
		PLURIJETm 6/90				
PLURIJETm 4/130	45 µF 450 VL	80 µF 250 VL				
PLURIJETm 4/200						
9	ELECTRIC MOTOR	PLURIJETm: single-phase 230 V - 50 Hz with thermal overload protector built-in to the winding.				
		PLURIJET: three-phase 230/400 V - 50 Hz.				
		➔ Pumps fitted with the three-phase motor option offer IE2 (IEC 60034-30) class high performance – Insulation: F class. – Protection: IP X4.				



DIMENSIONS AND WEIGHT



MODEL		PORTS		DIMENSIONS mm									kg	
Single-phase	Three-phase	DN1	DN2	a	f	h	h1	h2	n	n1	w	s	1~	3~
PLURIJETm 5/90	PLURIJET 5/90	1 1/4"	1"	69	634	230	153	46	185	145	304	10	26.6	24.8
PLURIJETm 6/90	PLURIJET 6/90				665						335		28.7	27.8
PLURIJETm 3/130	PLURIJET 3/130				571						241		24.8	22.9
PLURIJETm 4/130	PLURIJET 4/130				602						272		26.9	25.9
-	PLURIJET 5/130				634						304		-	27.9
-	PLURIJET 6/130				665						335		-	28.8
PLURIJETm 3/200	PLURIJET 3/200				571						241		24.8	22.9
PLURIJETm 4/200	PLURIJET 4/200				602						272		26.9	25.9
-	PLURIJET 5/200				634						304		-	27.9
-	PLURIJET 6/200				665						335		-	28.8

ABSORPTION

MODEL	VOLTAGE (single-phase)		
Single-phase	230 V	240 V	110 V
PLURIJETm 5/90	8.5 A	8.2 A	17.0 A
PLURIJETm 6/90	10.5 A	10.0 A	21.0 A
PLURIJETm 3/130	8.5 A	8.2 A	17.0 A
PLURIJETm 4/130	10.5 A	10.0 A	21.0 A
PLURIJETm 3/200	8.5 A	8.2 A	17.0 A
PLURIJETm 4/200	10.5 A	10.0 A	21.0 A

MODEL	VOLTAGE (three-phase)					
Three-phase	230 V	400 V	690 V	240 V	415 V	720 V
PLURIJET 5/90	5.7 A	3.3 A	1.9 A	5.5 A	3.2 A	1.8 A
PLURIJET 6/90	8.1 A	4.7 A	2.7 A	7.8 A	4.5 A	2.6 A
PLURIJET 3/130	5.7 A	3.3 A	1.9 A	5.5 A	3.2 A	1.8 A
PLURIJET 4/130	8.5 A	4.9 A	2.8 A	8.1 A	4.7 A	2.7 A
PLURIJET 5/130	8.7 A	5.0 A	2.9 A	8.3 A	4.8 A	2.8 A
PLURIJET 6/130	10.4 A	6.0 A	3.5 A	10.0 A	5.8 A	3.4 A
PLURIJET 3/200	5.7 A	3.3 A	1.9 A	5.5 A	3.2 A	1.8 A
PLURIJET 4/200	8.1 A	4.7 A	2.7 A	7.8 A	4.5 A	2.6 A
PLURIJET 5/200	8.7 A	5.0 A	2.9 A	8.3 A	4.8 A	2.8 A
PLURIJET 6/200	10.4 A	6.0 A	3.5 A	10.0 A	5.8 A	3.4 A

PALLETIZATION

MODEL		GROUPAGE / CONTAINER			
Single-phase	Three-phase	n° pumps	H (mm)	kg	
				1~	3~
PLURIJETm 5/90	PLURIJET 5/90	30	1430	820	760
PLURIJETm 6/90	PLURIJET 6/90	30	1430	880	850
PLURIJETm 3/130	PLURIJET 3/130	40	1430	1010	940
PLURIJETm 4/130	PLURIJET 4/130	40	1430	1100	1060
-	PLURIJET 5/130	30	1430	-	860
-	PLURIJET 6/130	30	1430	-	880
PLURIJETm 3/200	PLURIJET 3/200	40	1430	1010	940
PLURIJETm 4/200	PLURIJET 4/200	40	1430	1100	1060
-	PLURIJET 5/200	30	1430	-	860
-	PLURIJET 6/200	30	1430	-	880

